

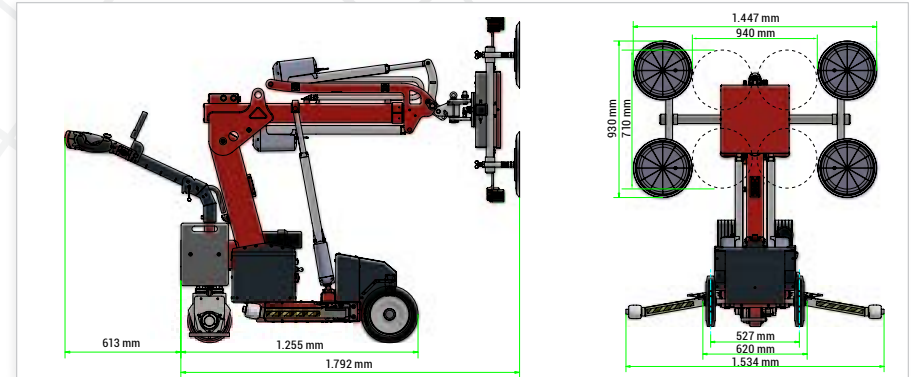
Glassworker GW 295

The most agile in his class

GW 295

Art.-Nr.: 107279

- » Lifting capacity max. 295 kg
- » Reliable indoors
- » Lifting height (vertical) 2,42 m.
- » Lifting height (overhead) 2,90 m.
- » Folding steering drawbar as a standard
- » Self-monitoring security system



[You can find many helpful videos on our YouTube channel.](#)

TECHNICAL DETAILS	
Lifting capacity	295 kg
Lifting capacity with max. reach	135 kg
Total weight	492 kg
Total height	1.320 mm (1.550 mm with the steering handle folded up)
Total width	620 mm
Total length	2.410 mm (with the steering handle folded up)
Max. lifting height (vertical)	2.420 mm
Max. lifting height (overhead)	2.900 mm
Tilting of the suction system with a horizontal lifting arm	99° to the front, 92° to the back
Side shift	50 mm in both directions
Back wheel drive	600 Watt
Charging Voltage	230 V
Batteries	24 V / 2 x 85 Ah
Rotation of the vacuum cross	165° degrees in both directions
Optional	Load hook, manual extension "highlifter"

